

6.3.10 Aviom A-Net® Card (VISTA)

A949.0446



This card allows implementing the head of an Aviom A-Net® Pro-16 chain. With this standard, 16 mono signals can be fed to an infinite number of Aviom personal mixers (such as the A-16 II) may be connected in a daisy chain configuration. The D21m A-Net® card will be the start of the chain and provide the audio and synchronization data to the chain. DIP switches on the front panel allow grouping two adjacent channels to one stereo channel, and generating a test tone.

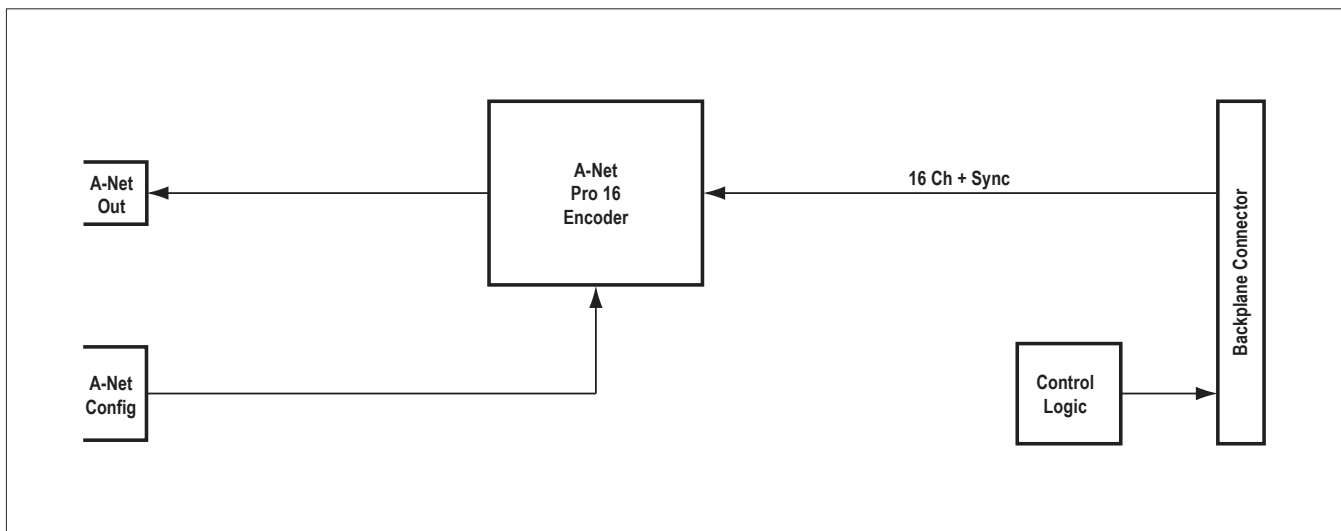
This card works at sampling rates of 44.1 or 48 kHz only.

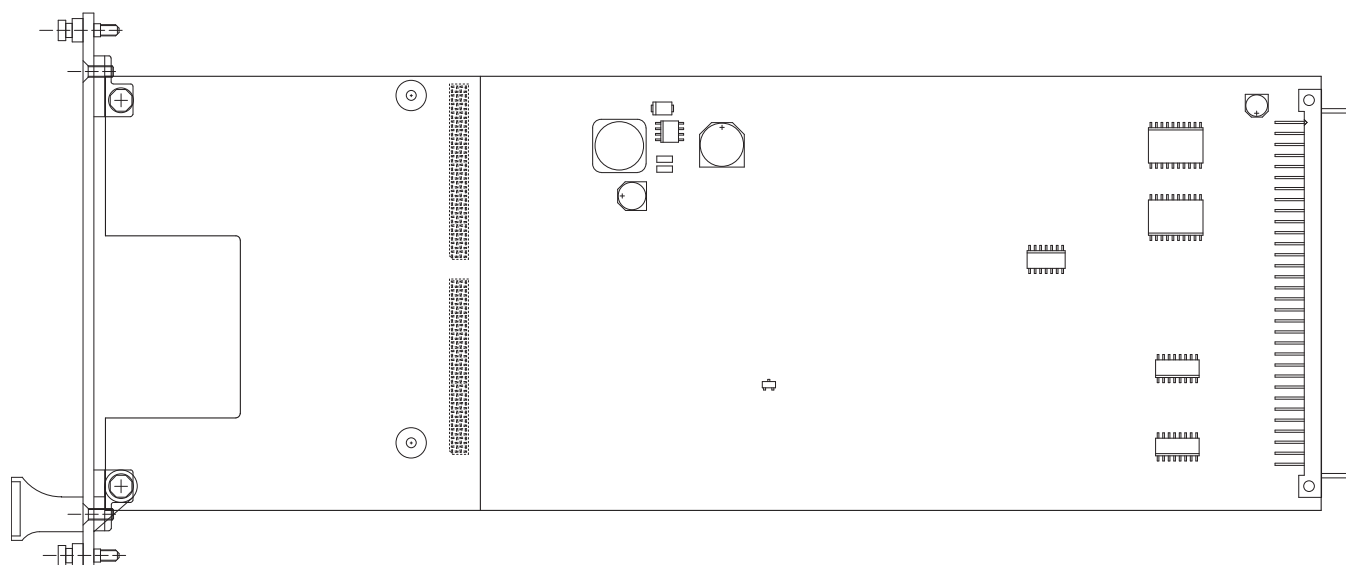
Current consumption (5 V)

250 mA

Operating temperature

0-40 °C





Front-Panel Switch

Position	Setting
1	OFF: Channels 1 and 2 are mono (<i>factory default</i>) ON: Channels 1 and 2 are a stereo group
2	OFF: Channels 3 and 4 are mono (<i>factory default</i>) ON: Channels 3 and 4 are a stereo group
3	OFF: Channels 5 and 6 are mono (<i>factory default</i>) ON: Channels 5 and 6 are a stereo group
4	OFF: Channels 7 and 8 are mono (<i>factory default</i>) ON: Channels 7 and 8 are a stereo group
5	OFF: Channels 9 and 10 are mono (<i>factory default</i>) ON: Channels 9 and 10 are a stereo group
6	OFF: Channels 11 and 12 are mono (<i>factory default</i>) ON: Channels 11 and 12 are a stereo group
7	OFF: Channels 13 and 14 are mono (<i>factory default</i>) ON: Channels 13 and 14 are a stereo group
8	OFF: Channels 15 and 16 are mono (<i>factory default</i>) ON: Channels 15 and 16 are a stereo group
9	OFF: Test tone generator off (<i>factory default</i>) ON: Test tone generator on